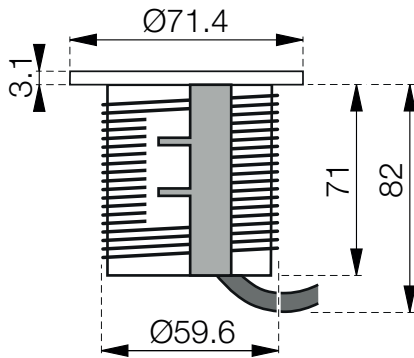




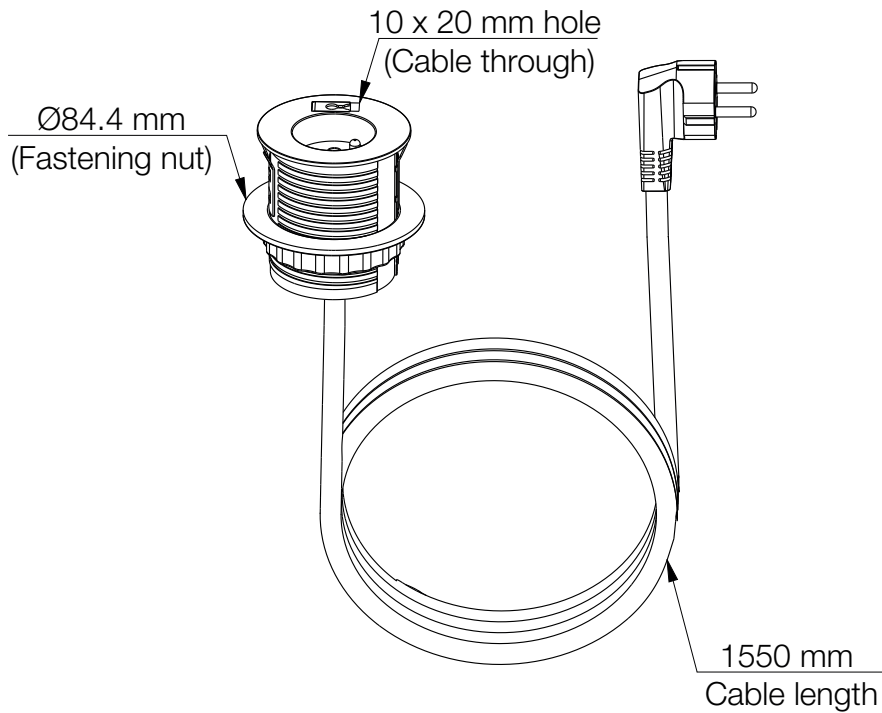
■ 935-PM80

**Powerdot MIDI - 1 Power, 1 Feed-through,
French version**

Front View (Grommet)



Oriented view (Grommet, nut & cable)



Maximum table thickness:
Recommended hole cut:

52 mm
Ø60 mm

Revised
191107