

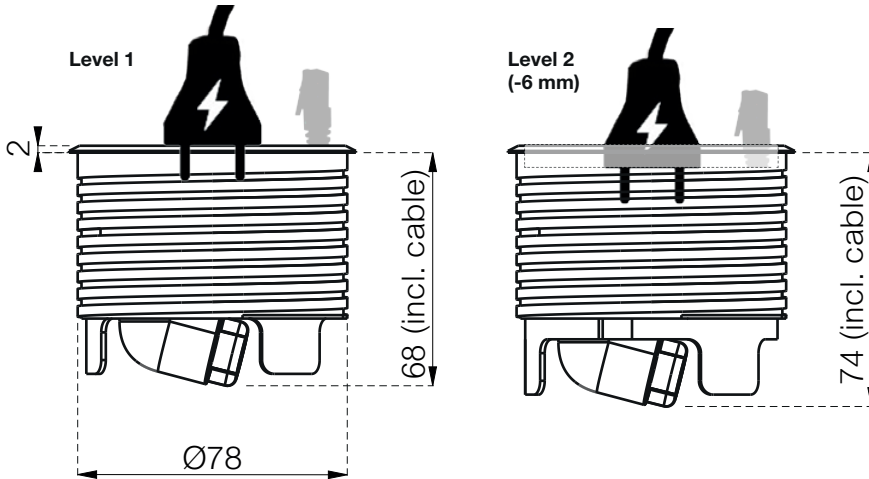


□ 935-PD34W

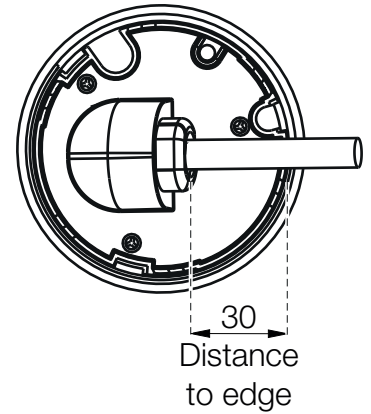
■ 935-PD34

**Powerdot - 1 Power, 2x USB-chargers (5V, 2.4A),
2 Feed throughs (Ø7, Ø9.5 mm), French version**

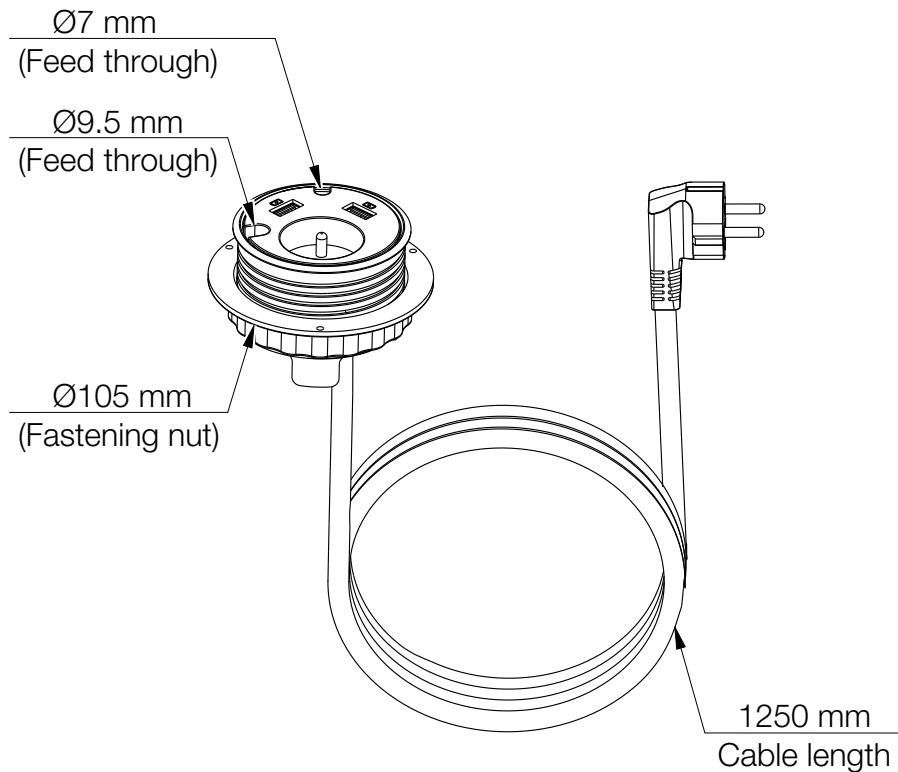
Front view (Grommet)



Bottom view



Oriented view (Grommet, nut & cable)



Maximum table thickness:
Recommended hole cut:

30 mm
Ø79 mm

Revised
191209